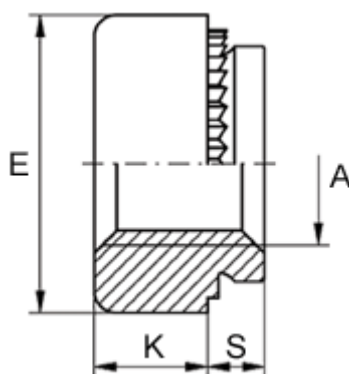


Data Sheet



Article number: 12502000020700
Description: KLEE-coil 502 000 020.700
M2 Light-alloy metal

Measures



Female thread A	= M2
Height K	= 2.0
Max recess height	= 1.0
Min distance to edge	= 3.0
Outer diameter E	= 6.0
Plate thickness	= 1.5 to 2.3
Recommended bore diameter +0.05	= 4.00